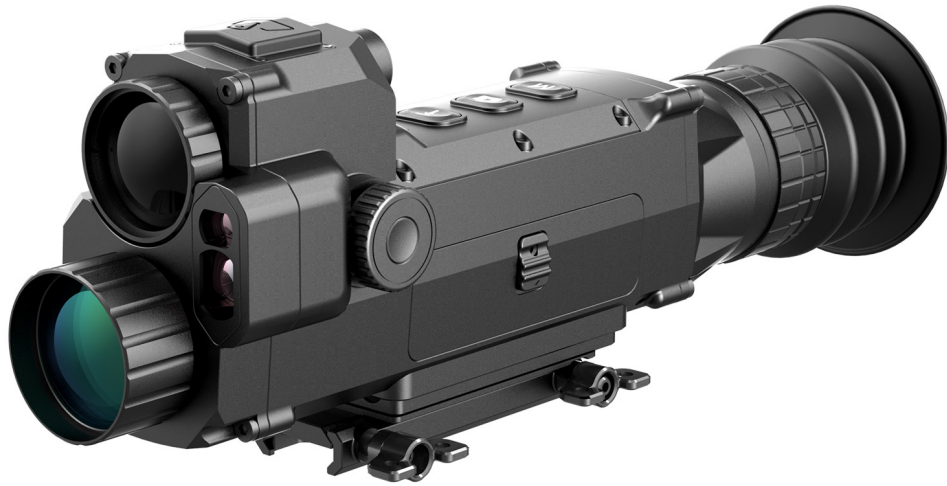


Shock! It's amazing how magical this thing is [long-range rifle scope](#).

In the realm of precision shooting, the **long-range rifle scope** stands as an indispensable tool. Whether you are a seasoned marksman or a novice shooter, understanding the intricacies of these scopes can significantly enhance your shooting accuracy and overall experience.



Understanding Long-Range Rifle Scopes

What exactly is a long-range rifle scope? Essentially, it is an optical device mounted on a rifle to aid in aiming at distant targets. These scopes are equipped with advanced features such as variable magnification, reticles, and parallax adjustment, which collectively contribute to improved precision.

Key Features of Long-Range Rifle Scopes

- **Magnification:** The ability to zoom in on distant targets is crucial. Most long-range rifle scopes offer variable magnification, allowing shooters to adjust the zoom level based on the distance of the target.
- **Reticles:** These are the crosshairs or aiming points within the scope. Different reticle designs cater to various shooting needs, from simple crosshairs to complex mil-dot reticles.
- **Parallax Adjustment:** This feature helps eliminate parallax error, ensuring that the reticle remains on target regardless of the shooter's eye position.

Benefits of Using Long-Range Rifle Scopes

Why should one invest in a long-range rifle scope? The benefits are manifold. Firstly, these scopes enhance shooting accuracy by providing a clear and magnified view of the target. Secondly, they allow for precise adjustments, which is essential for long-distance shooting. Lastly, they are designed to withstand harsh environmental conditions, ensuring durability and reliability.

Tips for Using Long-Range Rifle Scopes Effectively

To maximize the potential of your long-range rifle scope, consider the following tips:

1. **Proper Mounting:** Ensure that the scope is securely mounted on the rifle. A loose scope can lead to inaccurate shots.
2. **Zeroing the Scope:** This involves aligning the scope with the rifle's barrel to ensure that the point of aim matches the point of impact.
3. **Understanding Reticles:** Familiarize yourself with the reticle design and how to use it for range estimation and windage adjustments.

"A well-calibrated long-range rifle scope can make the difference between a hit and a miss. Precision is key." - Expert Marksman

Recommended Long-Range Rifle Scopes

Here are some top-rated long-range rifle scopes that have garnered positive reviews:

- [Long-Range Rifle Scope Model 1](#) - Known for its exceptional clarity and durability.
- [Long-Range Rifle Scope Model 2](#) - Features advanced reticle design and superior magnification.

Product Highlight: Long-Range Rifle Scope Model 1

The [Long-Range Rifle Scope Model 1](#) is a top choice among shooters. It offers a magnification range of 5-25x, a mil-dot reticle, and robust construction. This scope is designed to perform in the most demanding conditions.

Video Review: Long-Range Rifle Scope Model 2

Watch this comprehensive review of the [Long-Range Rifle Scope Model 2](#) to understand its features and performance:

Your browser does not support the video tag.

Conclusion

In conclusion, mastering the use of a **long-range rifle scope** can significantly elevate your precision shooting skills. By understanding the key features, benefits, and tips for effective use, you can make informed decisions and achieve greater accuracy in your shooting endeavors.

References

- [long-range rifle scope](#)