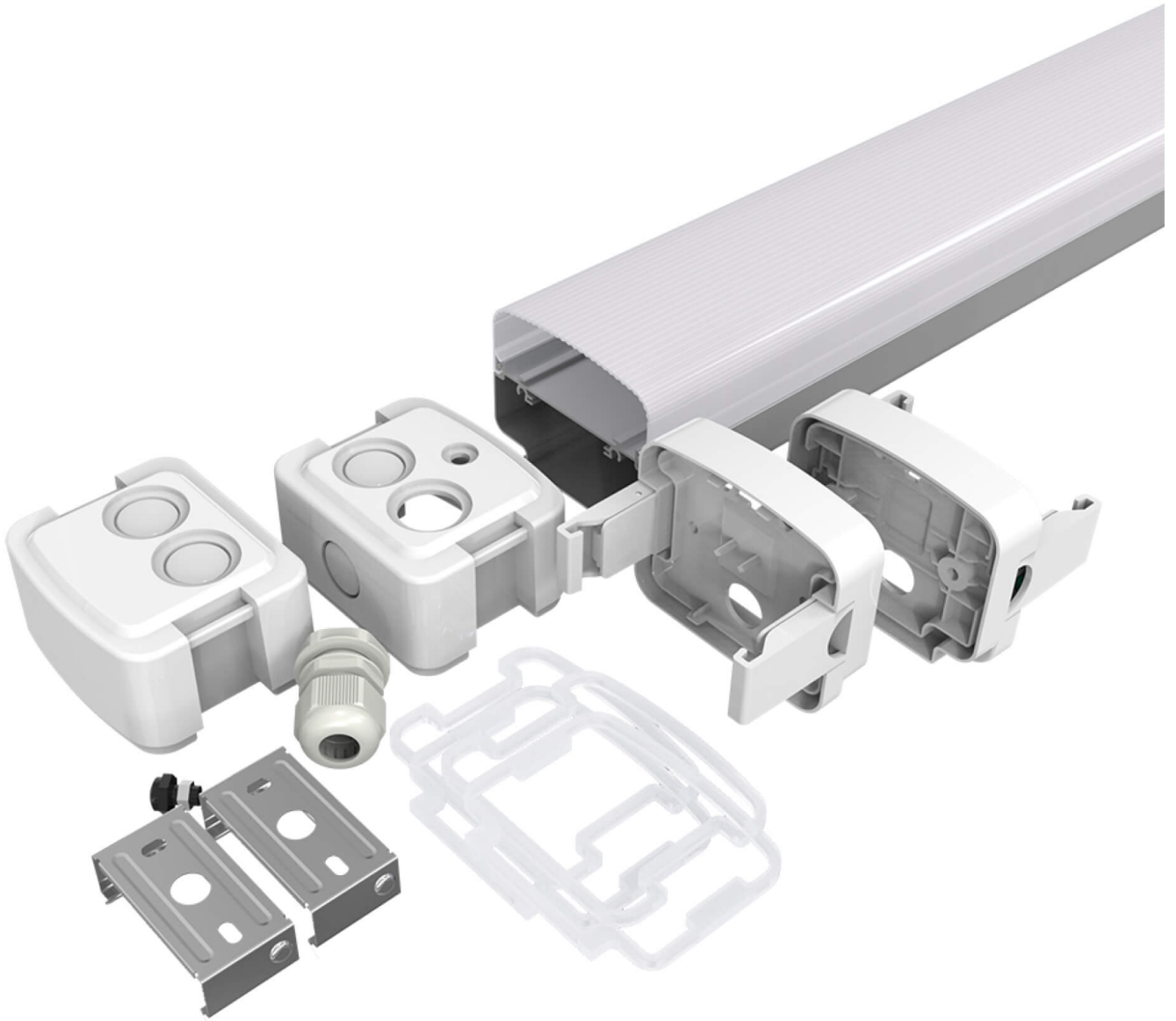


In recent years, the demand for **industrial vapor tight LED lighting** has surged, driven by the need for durable and energy-efficient lighting solutions in challenging environments. As a result, **China's industrial vapor tight LED lighting manufacturers** have emerged as key players in this market, offering innovative products that meet global standards.



Understanding Industrial Vapor Tight LED Lighting

What exactly is **industrial vapor tight LED lighting**? These fixtures are designed to withstand harsh conditions, including moisture, dust, and extreme temperatures. They are commonly used in industrial settings such as warehouses, manufacturing plants, and outdoor areas. The robust design ensures longevity and reliability, making them an ideal choice for businesses looking to reduce maintenance costs.

Why Choose China's Manufacturers?

When considering **industrial vapor tight LED lighting**, one might wonder why China has become a hub for manufacturing these products. Here are several reasons:

- **Cost-Effectiveness:** Chinese manufacturers often provide competitive pricing due to lower production costs.
- **Advanced Technology:** Many manufacturers invest in the latest technology, ensuring high-quality and efficient lighting solutions.
- **Customization Options:** They offer a wide range of customizable products to meet specific customer needs.

- **Global Reach:** With established export channels, these manufacturers can easily supply products worldwide.

Key Features of Industrial Vapor Tight LED Lights

What features should you look for when selecting **industrial vapor tight LED lighting**? Here are some essential aspects:

1. **IP Rating:** Ensure the fixture has a high Ingress Protection (IP) rating, indicating its resistance to dust and moisture.
2. **Energy Efficiency:** Look for LED lights that offer high lumen output with low wattage consumption.
3. **Durability:** Choose fixtures made from robust materials that can withstand harsh environments.
4. **Easy Installation:** Opt for products that come with user-friendly installation guides to minimize downtime.

Conclusion: The Future of Industrial Vapor Tight LED Lighting

As industries continue to evolve, the role of **China's industrial vapor tight LED lighting manufacturers** will likely expand. Their commitment to innovation and quality positions them well in the global market. If you are interested in exploring a wide range of options, consider visiting [China's industrial LED lighting manufacturers](#) for more information.

In summary, the rise of **industrial vapor tight LED lighting** from China is not just a trend; it represents a significant shift towards more efficient and durable lighting solutions. As businesses seek to enhance their operations, these manufacturers will continue to play a crucial role in meeting their lighting needs.